

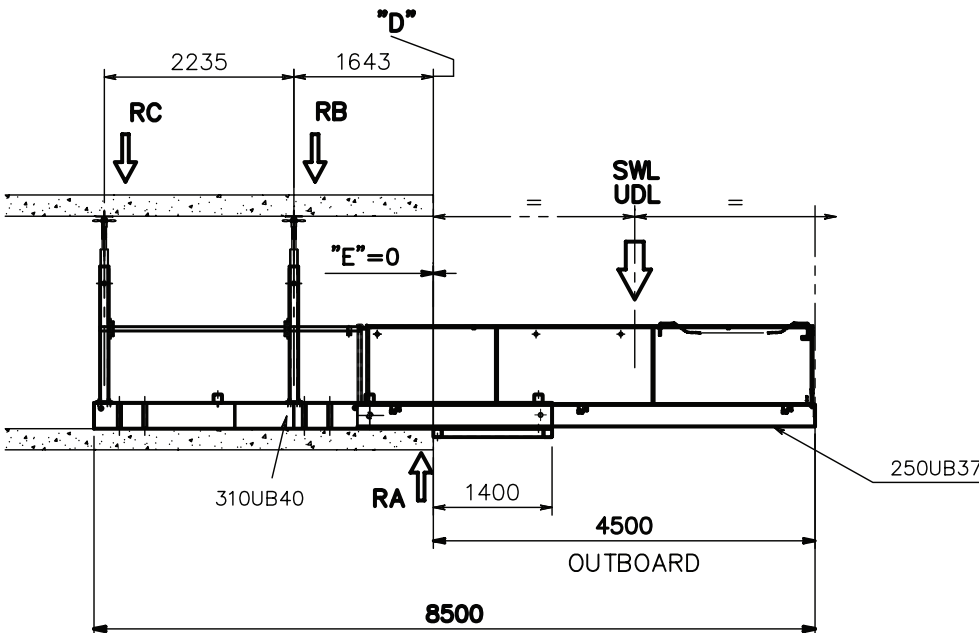
PROP REACTIONS

| LOAD/REACTION | 4500mm Outboard | 4750mm Outboard | 5000mm Outboard | 5250mm Outboard |
|---------------------------------|-----------------|-----------------|-----------------|-----------------|
| SWL-UDL (kg) | 5000 | 4000 | 3200 | 2500 |
| RA* (t) | 9.9 | 10.1 | 10.8 | 12.0 |
| RB* (t) | 6.6 | 7.2 | 8.1 | 9.5 |
| RC* (t) | -0.4 | -0.3 | -0.1 | -0.1 |
| Deflections at outer wheel (mm) | △5 | △6 | △7 | △9 |
| Deflections at free end (mm) | △29 | △29 | △30 | △31 |

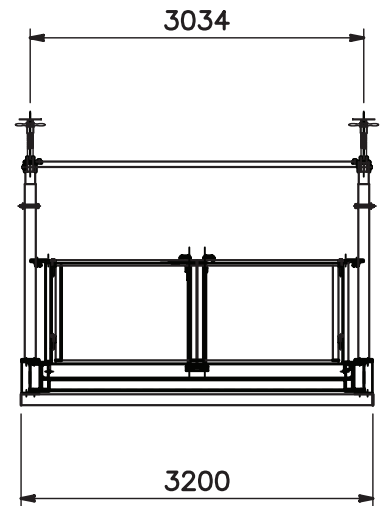
| OUTBOARD | 4500mm Outboard | 4750mm Outboard | 5000mm Outboard | 5250mm Outboard |
|--|-----------------|-----------------|-----------------|-----------------|
| E = (Distance from slab edge to back end of H frame) (mm) | 0 | 250 | 500 | 750 |
| D = (Distance from centre line of inner prop to slab edge) (mm) | 1643 | 1393 | 1143 | 893 |

| DIMENSIONS | | | |
|------------|--------|-------|--------|
| Length | 8500mm | Width | 3200mm |
| Height | 1202mm | | |

| TARE | |
|--------|---------|
| Weight | 3000 kg |



SIDE ELEVATION



FRONT ELEVATION

*Reactions on each side of the platform.
Assumed load always centre both ways on the outboard of the platform. All loads are static loads i.e. no load factors applied. Horizontal forced not taken into account. Reactions provided based on rigid supports i.e. effects on deflections of supporting slabs not factored into design.

PROP REACTIONS

LOAD/REACTION

| | 4500mm Outboard | 4750mm Outboard | 5000mm Outboard | 5250mm Outboard |
|---------------------------------|-----------------|-----------------|-----------------|-----------------|
| SWL-UDL (kg) | 5000 | 4000 | 3200 | 2500 |
| RA* (t) | 5.9 | 5.4 | 5.1 | 4.8 |
| RB* (t) | N/A | N/A | N/A | N/A |
| RC* (t) | 2.2 | 2.2 | 2.3 | 2.3 |
| Deflections at outer wheel (mm) | 10 | 11 | 13 | 14 |
| Deflections at free end (mm) | 44 | 44 | 45 | 45 |

OUTBOARD

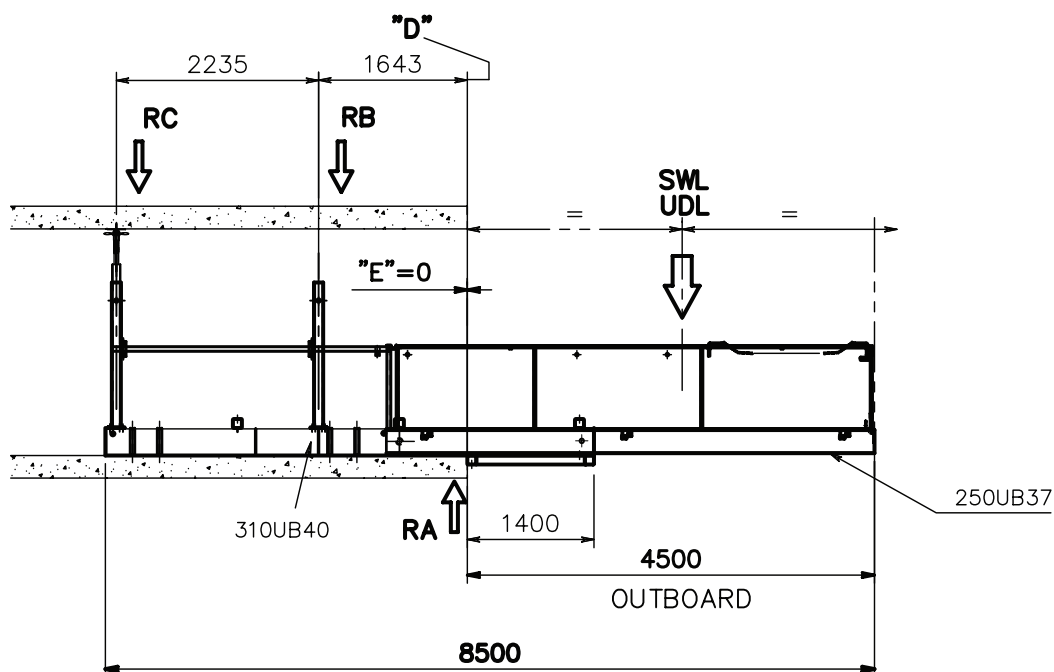
| | 4500mm Outboard | 4750mm Outboard | 5000mm Outboard | 5250mm Outboard |
|--|-----------------|-----------------|-----------------|-----------------|
| E = (Distance from slab edge to back end of H frame) (mm) | 0 | 250 | 500 | 750 |
| D = (Distance from centre line of inner prop to slab edge) (mm) | 1643 | 1393 | 1143 | 893 |

DIMENSIONS

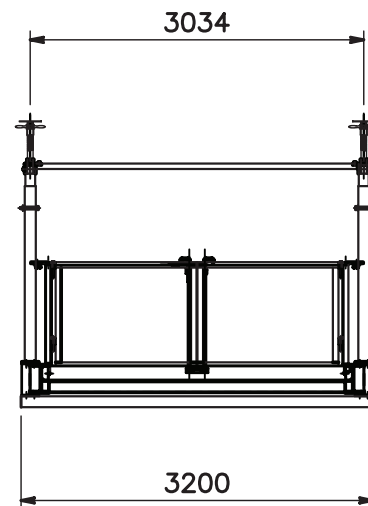
Length 8500mm **Width** 3200mm **Height** 1202mm

TARE

Weight 3000 kg



SIDE ELEVATION



FRONT ELEVATION

*Reactions on each side of the platform.

Assumed load always centre both ways on the outboard of the platform. All loads are static loads i.e. no load factors applied. Horizontal forces not taken into account. Reactions provided based on rigid supports i.e. effects on deflections of supporting slabs not factored into design.

BOLTDOWN REACTIONS

LOAD/REACTION

| | 4500mm Outboard | 4750mm Outboard | 5000mm Outboard | 5250mm Outboard |
|---------------------------------|-----------------|-----------------|-----------------|-----------------|
| SWL-UDL (kg) | 5000 | 4000 | 3200 | 2500 |
| RA* (t) | 10.1 | 10.4 | 11.1 | 12.4 |
| RB* (t) | 6.9 | 7.5 | 8.4 | 9.7 |
| RC* (t) | -0.5 | -0.3 | -0.1 | 0.2 |
| Deflections at outer wheel (mm) | △5 | △6 | △7 | △9 |
| Deflections at free end (mm) | △29 | △29 | △30 | △31 |

OUTBOARD

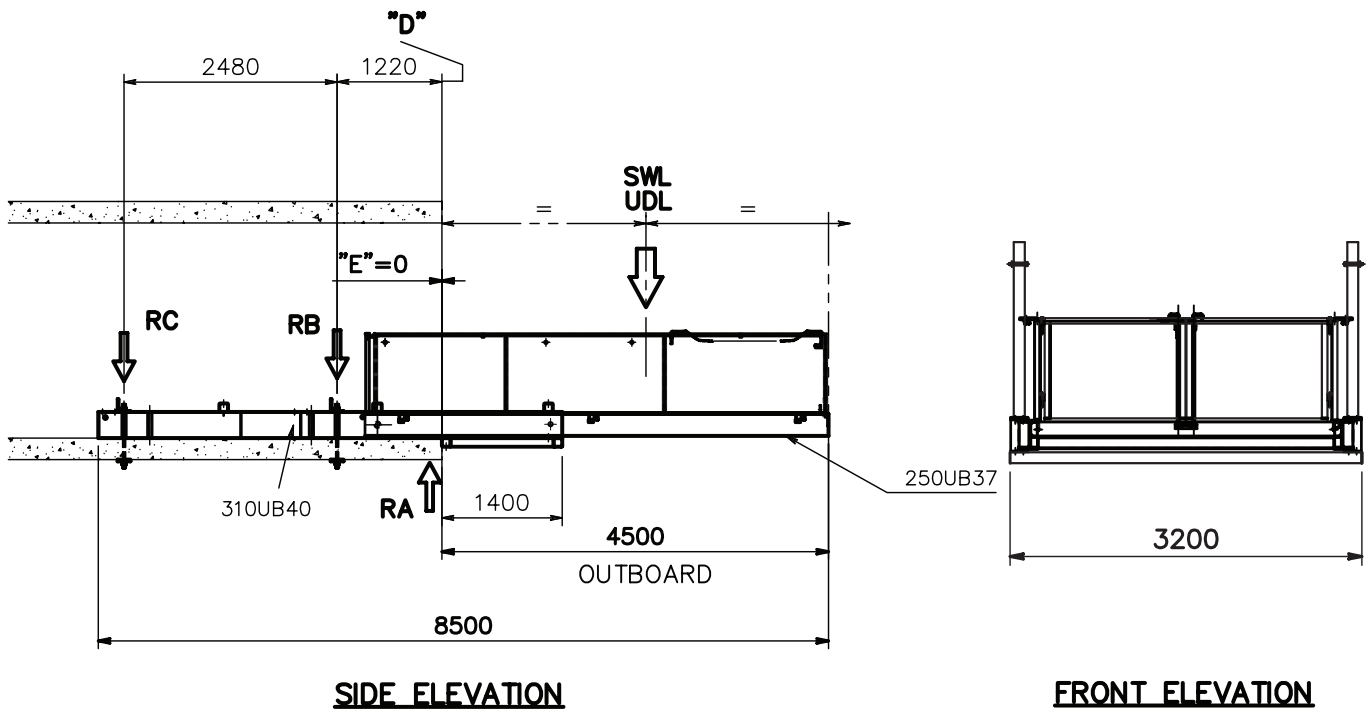
| | 4500mm Outboard | 4750mm Outboard | 5000mm Outboard | 5250mm Outboard |
|--|-----------------|-----------------|-----------------|-----------------|
| E = (Distance from slab edge to back end of H frame) (mm) | 0 | 250 | 500 | 750 |
| D = (Distance from centre line of inner prop to slab edge) (mm) | 1220 | 970 | 720 | 470 |

DIMENSIONS

Length 8500mm **Width** 3200mm **Height** 1202mm

TARE

Weight 3000 kg



*Reactions on each side of the platform.

Assumed load always centre both ways on the outboard of the platform. All loads are static loads i.e. no load factors applied. Horizontal forces not taken into account. Reactions provided based on rigid supports i.e. effects on deflections of supporting slabs not factored into design.



HIRE INDUSTRY EXCELLENCE AWARDS
Rental Company of the Year
WINNER 2017



SPECIALISED EQUIPMENT HIRE SOLUTIONS

Service Facility Locations

Preston Hire - NSW
Unit 3,10 Tarlington Place,
Smithfield, NSW 2164
nswsales@prestonhire.com.au

Preston Hire - ACT
38 John Bull Street,
Queanbeyan West, NSW 2620
actsales@prestonhire.com.au

Preston Hire - New Zealand
563 Rosebank Rd,
Avondale, Auckland 1026
nzsales@prestonhire.com.au

Preston Hire - QLD
83 Parramatta Road,
Underwood, QLD 4119
qldsales@prestonhire.com.au

Preston Hire - VIC/TAS
38-40 Sunline Dr,
Truganina, VIC 3029
vicsales@prestonhire.com.au

Preston Hire - WA/NT
Unit 2,8 Hunt Street,
Malaga, WA 6090
wasales@prestonhire.com.au

Preston Hire - SA
102 Cormack Road,
Wingfield, SA 5013
sasales@prestonhire.com.au

**Preston Hire available across Oceania*



COUNT ON US

1800 440 550 | prestonhire.com.au